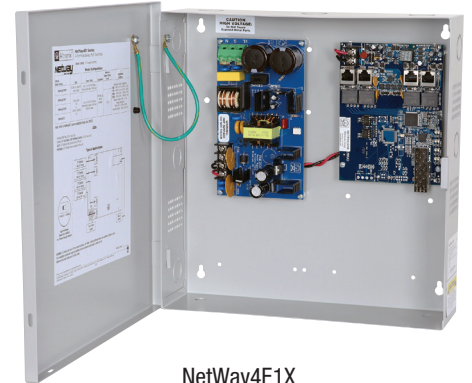


NetWay4E1X

4-port PoE+ Hardened Switch



Altronix NetWay4E1X Indoor PoE+ Hardened Switch provides a 1Gb SFP port and four (4) PoE+ (30W) ports. Cameras/edge devices can be located up to 100m from the unit.



NetWay4E1X

Key Features

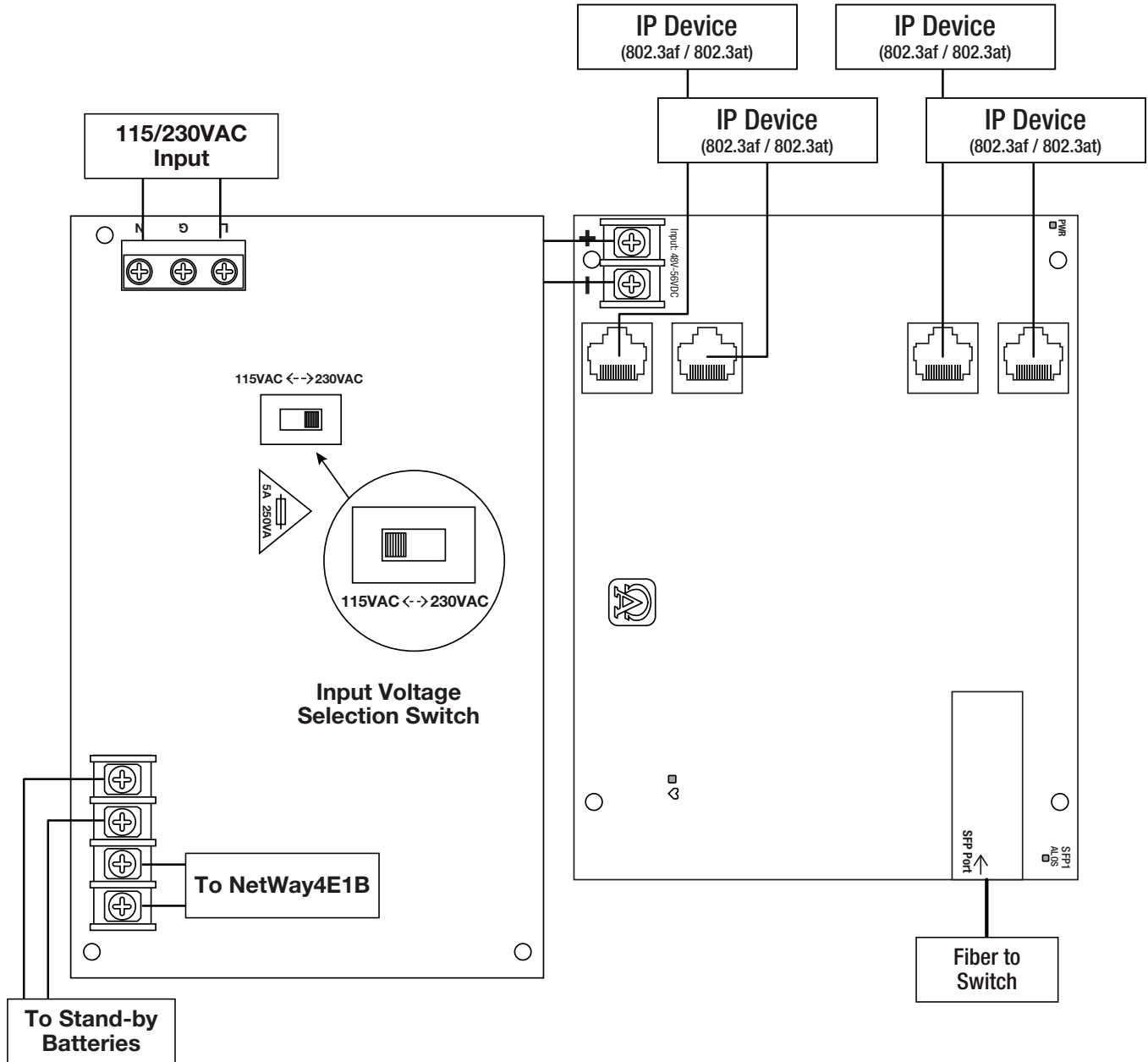
- Four (4) 10/100/1000 Mbps PoE/PoE+ (up to 30W) ports
- IEEE 802.3af (15W) and IEEE 802.3at (30W) compliant
- 120W total power
- One (1) Gigabit SFP port
- Built-in charger for sealed lead acid or gel type batteries
- Automatic switch over to stand-by battery when AC fails
- PoE activity LED indicators
- CE European Conformity
- Lifetime Warranty

Similar products

NetWay4E1WPX	Outdoor 4-port PoE+ Hardened Switch in NEMA 4/4X, IP66-11 enclosure which accommodates stand-by batteries
NetWay4E1WP	Outdoor 4-port PoE+ Hardened Switch in NEMA 4/4X, IP66-11 enclosure
NetWay4E1WPN	Outdoor 4-port PoE+ Hardened Switch only in NEMA 4/4X, IP66-11 enclosure
NetWay4E1PL	4-port PoE+ Hardened Switch with Integral Power on a Backplane
NetWay4E1B	4-port PoE+ Hardened Switch (board only)

Lifetime Warranty

Typical Application



Lifetime Warranty

NetWay4E1X

4-port PoE+ Hardened Switch



Specifications

Input

Voltage	115VAC, 60Hz, 2.5A or 230VAC, 50/60Hz, 1.3A
Fusing	5A/250V

Power Output

Maximum Power	Four (4) 10/100/1000 Mbps PoE/PoE+ (up to 30W) ports IEEE 802.3af (15W) and IEEE 802.3at (30W) compliant 120W total power Integral surge protection
---------------	--------------------------------------------------------------------------------------------------------------------------------------------------------------------

Fiber Port: One (1) Gigabit SFP port

Battery Charging

Type	Sealed lead acid or gel type
Failover	Upon AC loss, instantaneous

Batteries are sold separately

Indicators (LED)

- Individual PoE On LEDs for each port
- Individual IP Link status, 10/100Base-T/active LEDs for each port
- ALOS LED indicates fiber connection for SFP port
- Heartbeat LED indicates proper operation of the unit

Agency Listings

CE	European Conformity
----	---------------------

Physical and Environmental

Dimensions (H x W x D)

Enclosure:	13.5" x 13" x 3.25" (342.9mm x 330.2mm x 82.6mm)
Shipping:	15" x 13.875" x 4.75" (381mm x 352.4mm x 120.6mm)

Weight (approx.)

Product:	6.65 lb. (3.02 kg)
Shipping:	7.55 lb. (3.42 kg)

Temperature

Operating (120W):	- 40°C to 50°C (- 40°F to 122°F)
Storage:	- 40°C to 85°C (- 40°F to 185°F)

Relative Humidity

BTU/Hr (approx.)	85% +/- 5%
Operating Altitude:	61 BTU/Hr. - 304.8 to 2,000m

Accessories (order separately)



SFP Modules - Hot Pluggable Transceivers

P1MM	Multi-Mode SFP Module for distances up to 550m
P1SM10	Single-Mode SFP Module for distances up to 10km
P1AB2K	Single Strand SFP Module for distances up to 2km
P1GCE	Copper SFP Module for distances up to 100m



NetWaySP1A

Ethernet over Fiber Media Converter/Repeater for Applications Requiring an Additional SFP (Fiber) Port

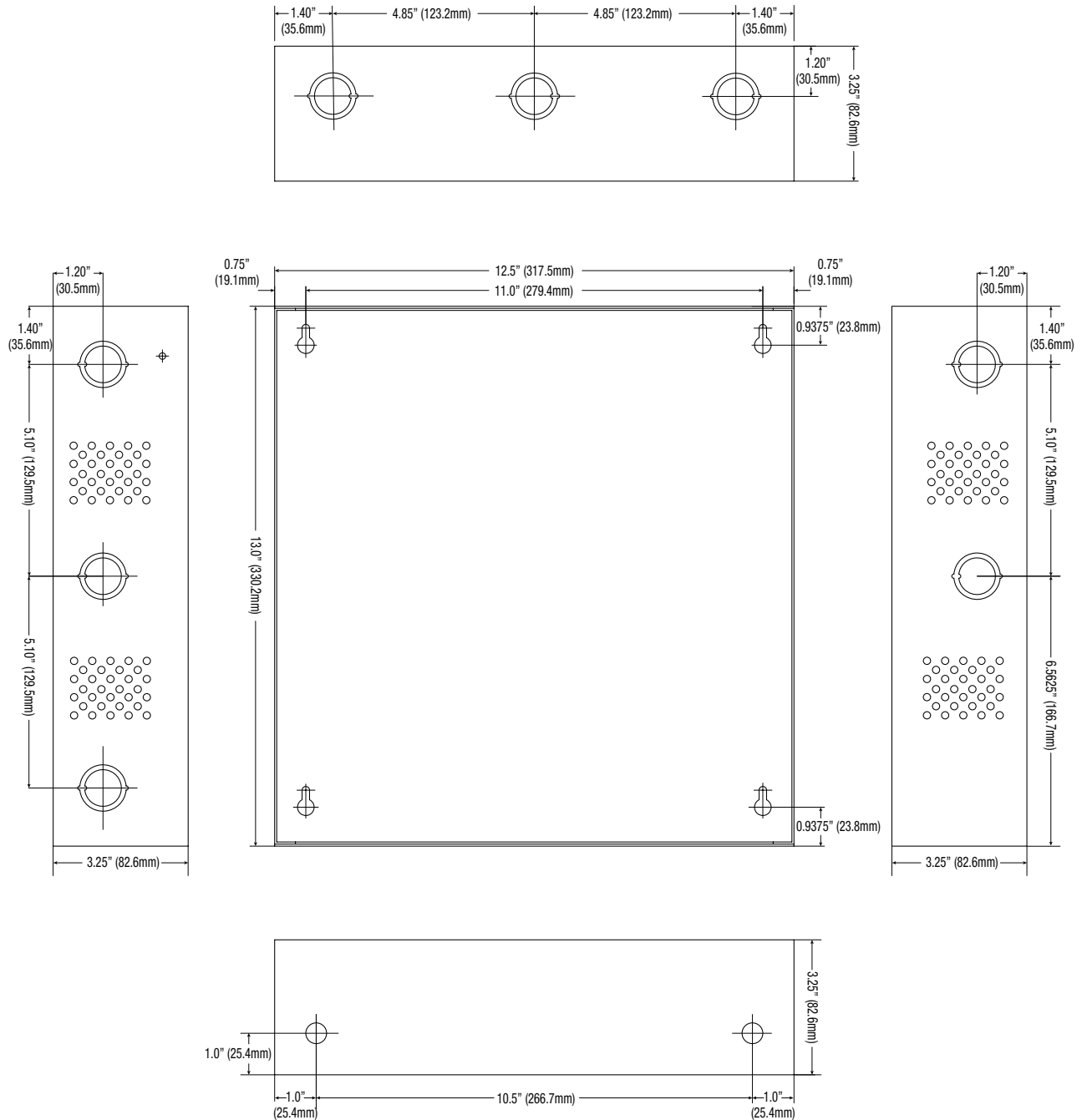
NetWaySP1A PoE powered media converter/repeater converts 10/100/1000 Mbps to Fiber (1000Base-X/SX/LX).

Lifetime Warranty

Dimensions and Drawing

Dimensions (H x W x D approximate)

13.5" x 13" x 3.25" (342.9mm x 330.2mm x 82.6mm)



Lifetime Warranty

Altronix Corporation | 140 58th St | Brooklyn, NY 11220 USA

phone: +1 718.567.8181 | fax: +1 718.567.9056 | email: info@altronix.com | www.altronix.com