

Pole Mount Kits

Models Include:

PMK1

- Accommodates Altronix WP1, WP3, and WP4 outdoor rated enclosures.
- 1.96" x 12" x 2.25" (49.8mm x 304.8mm x 57.2mm)

PMK2

- Accommodates Altronix WP2 and WP5 outdoor rated enclosures.
- 1.96" x 14" x 2.25" (49.8mm x 355.6mm x 57.2mm)

Installation Guide



More than just power.™

Rev. 011024

Installing Company: _____ Service Rep. Name: _____

Address: _____ Phone #: _____

Overview:

Altronix PMK1 and PMK2 outdoor pole mount kits are designed to simplify the installation of Altronix outdoor rated power supplies and accessories housed in models WP1, WP3, WP4 and WP5 NEMA rated enclosures. PMK1 and PMK2 can be mounted on 2" to 12.25" (50.8mm to 311.1mm) diameter round or 5" (127mm) square poles.

Specifications:

- Each kit includes:
 - Two (2) powder coated steel mounting brackets.
 - Four (4) stainless steel bolts.
 - Four (4) stainless steel lock washers.
 - Two (2) 39" wormgear quick release straps.

Metal Bracket Dimensions (approx.):

PMK1 (accommodates WP1, WP3, WP4 enclosures):
1.96" x 12" x 2.25" (49.8mm x 304.8mm x 57.2mm).

- Product weight: 2.85 lb. (1.3kg).

- Shipping weight: 3.2 lb. (1.45kg).

PMK2 (accommodates WP2, WP5 enclosures):

1.96" x 14" x 2.25" (49.8mm x 355.6mm x 57.2mm).

- Product Weight: 3.2 lb. (1.45 kg).

- Shipping Weight: 3.6 lb. (1.63 kg).

Installation Instructions:

This installation should be made by qualified service personnel. This product contains no serviceable parts.

PMK1 is intended for use with Altronix outdoor rated power supplies or accessories housed in WP1, WP3 and WP4 enclosures.

PMK2 is intended for use with Altronix outdoor rated power supplies or accessories housed in WP2 and WP5 enclosures.

Brackets are designed for use with the Wormgear Quick Release Straps (two included).

1. Thread one (1) wormgear quick release strap through the slots on the back of a mounting bracket (*Fig. 1, pg. 2*).
2. Once the desired height of the top Pole Mount bracket is achieved, tighten the straps down by sliding open end of the strap through the locking mechanism on the strap, then tighten the screw with flat head screwdriver or 5/16" hex socket driver (*Fig. 2, pg. 2*).

Fig. 1

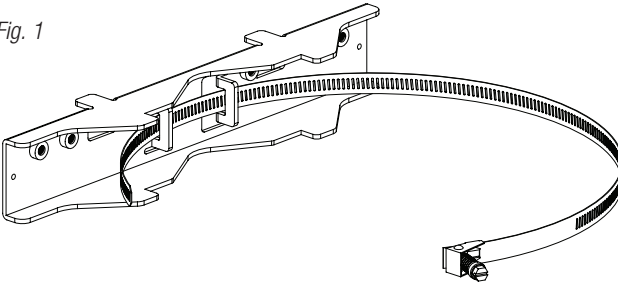
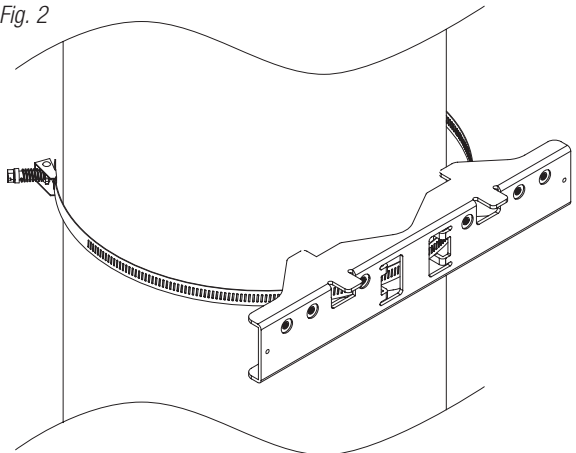


Fig. 2



3. Attach the bottom bracket to the enclosure by inserting bolts through the flange of the enclosure and into the bracket, tightening bolts with a 7/16" hex socket (Fig. 3, pg. 3).
4. Thread the second wormgear quick release strap through the slots on the back of the bottom mounting bracket (Fig. 4, pg. 3).
5. Mount enclosure onto the top bracket by inserting bolts through flange of the enclosure and into the bracket, tightening bolts with a 7/16" hex socket (Fig. 3, pg. 3).

Fig. 3

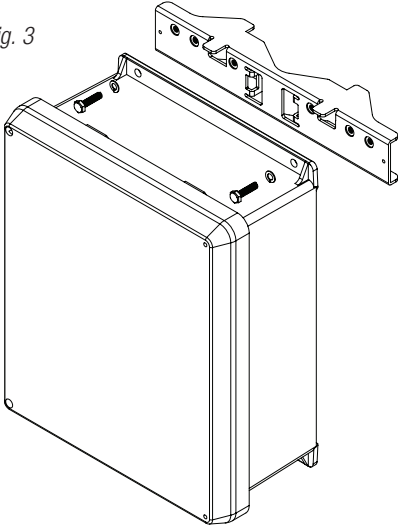
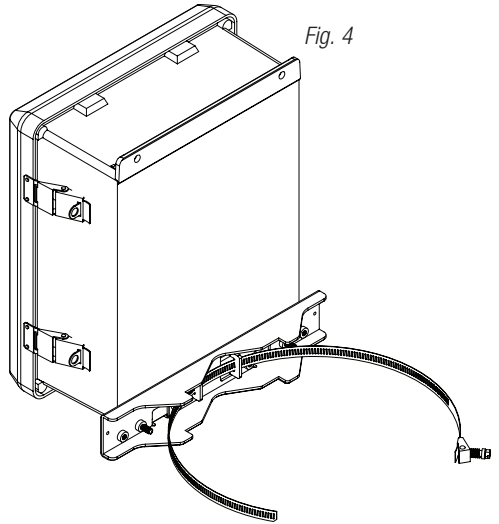


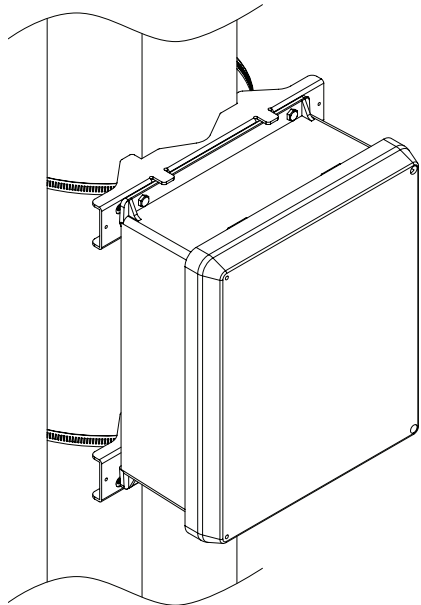
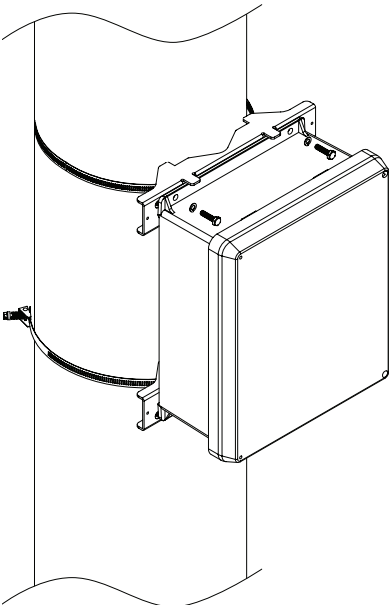
Fig. 4



6. Tighten the straps of the bottom bracket down by sliding the open end of the strap through the locking mechanism on the strap, then tighten screw with flat head screwdriver or 5/16" hex socket driver (Fig. 5, pg. 3).
7. Clip excess straps.

Fig. 5 - 2" to 12.25" (50.8mm to 311.1mm) diameter round pole

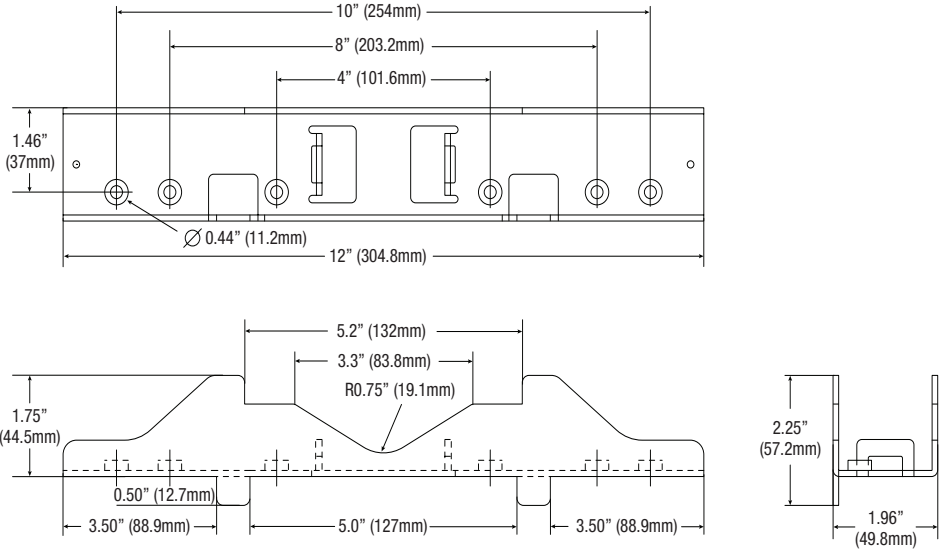
Fig. 5a - 5" (127mm) square pole



Dimensions (H x W x D approx.):

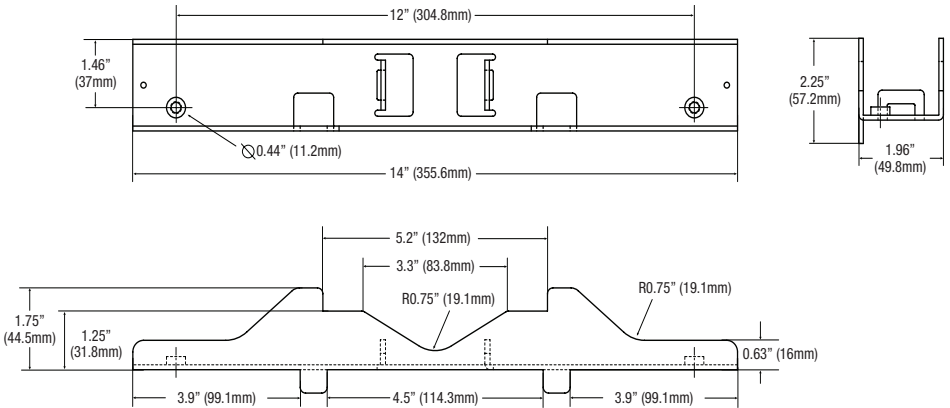
PMK1 (accommodates Altronix WP1, WP3, and WP4 enclosures)

1.96" x 12" x 2.25" (49.8mm x 304.8mm x 57.2mm)



PMK2 (accommodates Altronix WP2 and WP5 enclosures)

1.96" x 14" x 2.25" (49.8mm x 355.6mm x 57.2mm)



Altronix is not responsible for any typographical errors.

140 58th Street, Brooklyn, New York 11220 USA | phone: 718-567-8181 | fax: 718-567-9056
 website: www.altronix.com | e-mail: info@altronix.com | Lifetime Warranty
 IIPMK A10X

